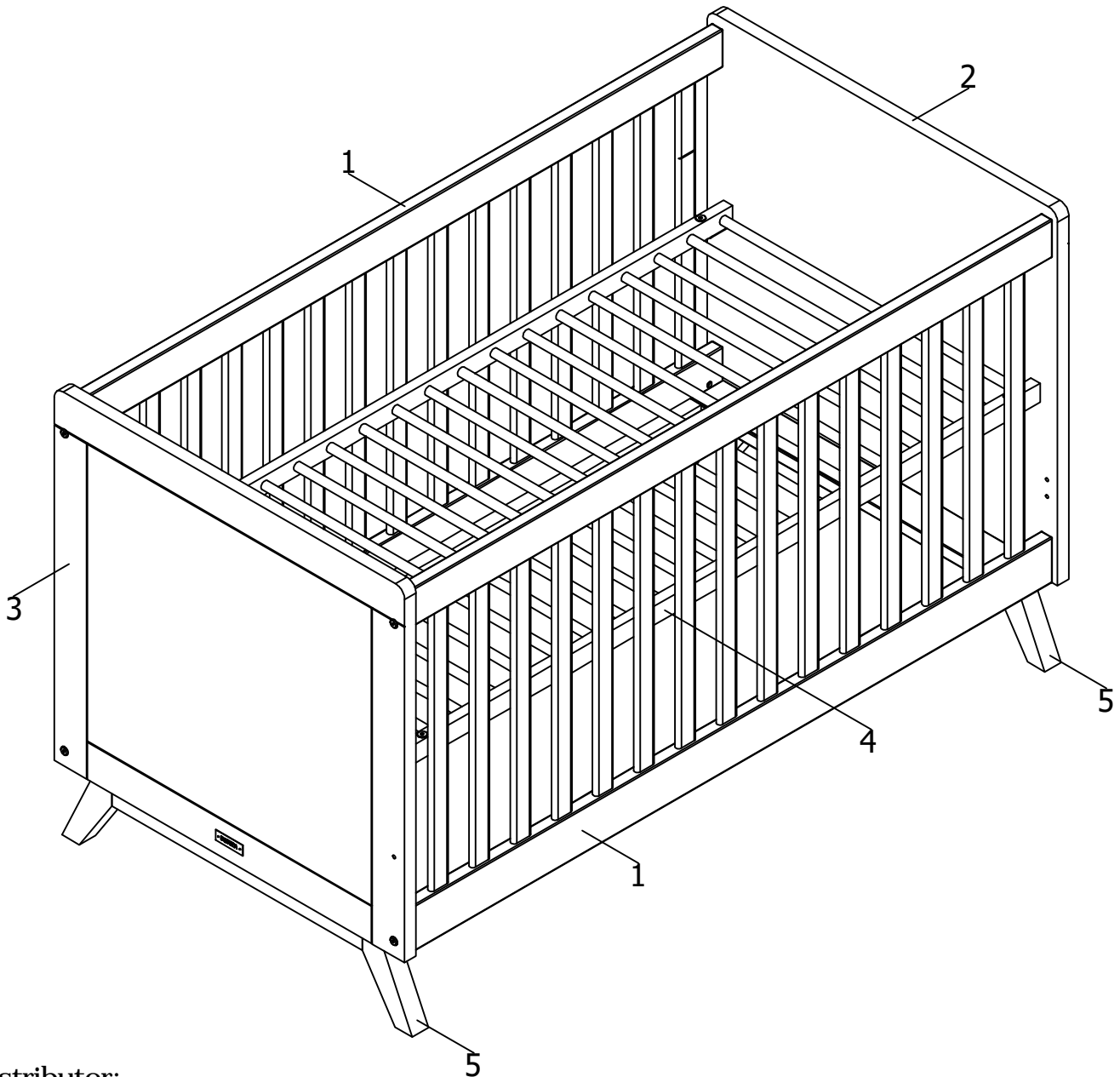


# bopita®

ASSEMBLY INSTRUCTION  
MONTAGE HANDLEIDING  
MONTAGE ANLEITUNG  
NOTICE DE MONTAGE  
MANUAL DE MONTAJE

UK  
NL  
D  
F  
ESP

MODEL : ANNE  
TYPE : BENCHBED 70X140  
COLOUR : WHITE  
ART.CODE : 163187.11.









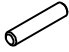



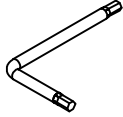
Distributor:

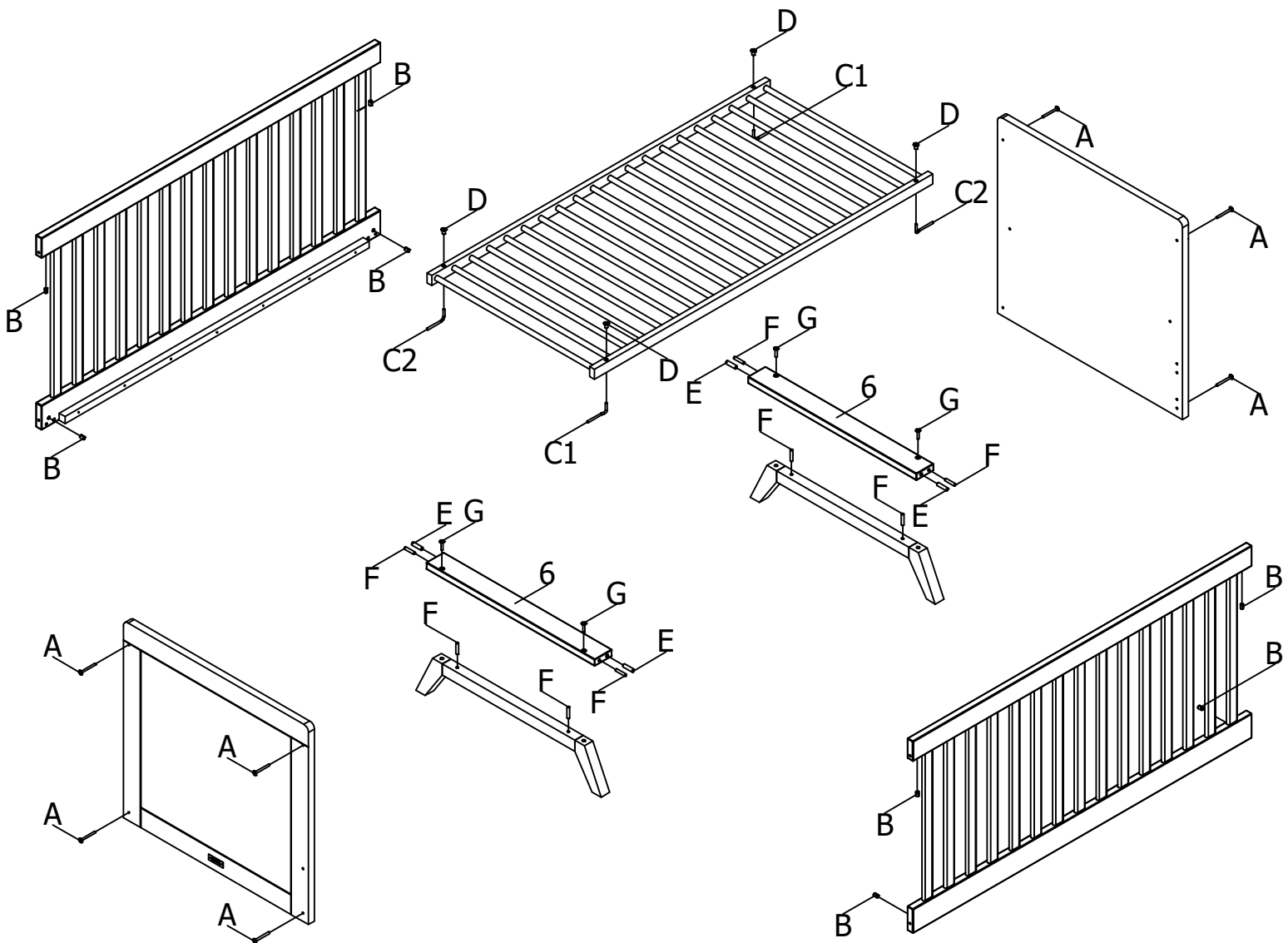
BOPITA  
Energieweg 1  
6662 NS Elst  
The Netherlands

[www.bopita.com](http://www.bopita.com)

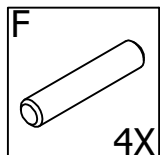
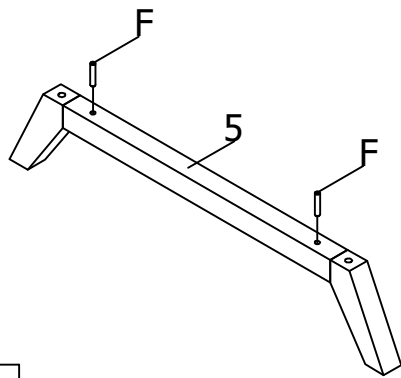


16.06.2022.

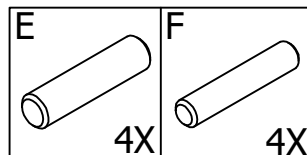
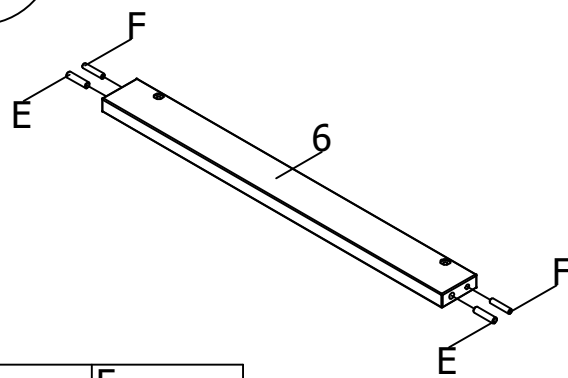
A	B	C1	C2	D	E
					
M6X60 8X	M6 8X	2X	2X	M6 4X	Ø10x40 4X
F	G	H	I	J	
					
Ø8X40 8X	M6X35 4X	Ø6x30 4X	SW4 1X	SW5 1X	



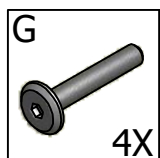
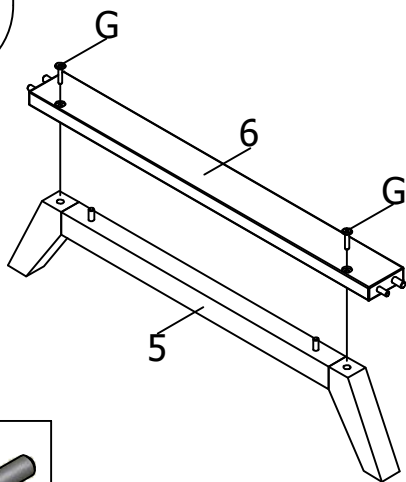
1a



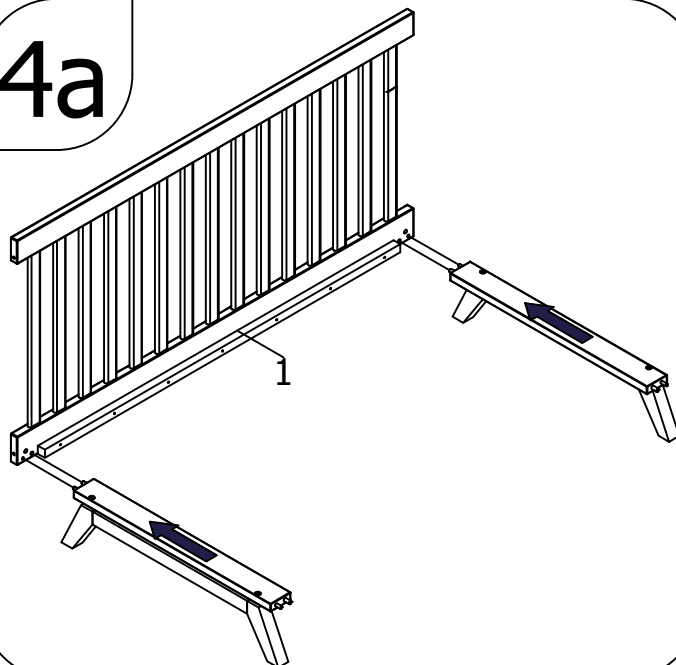
2a



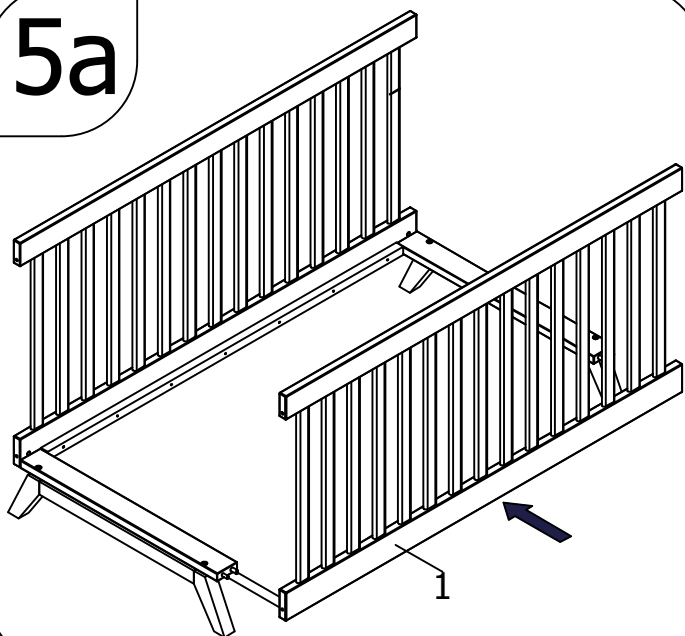
3a



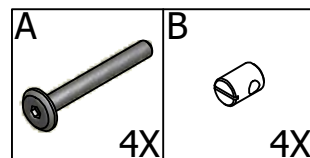
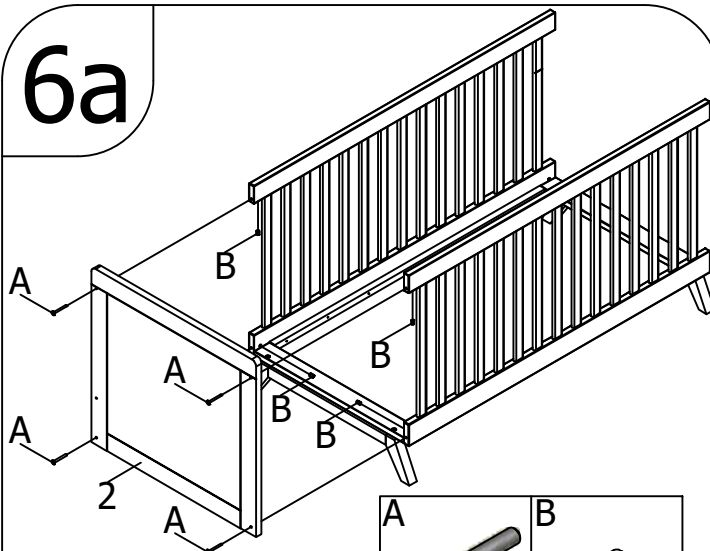
4a



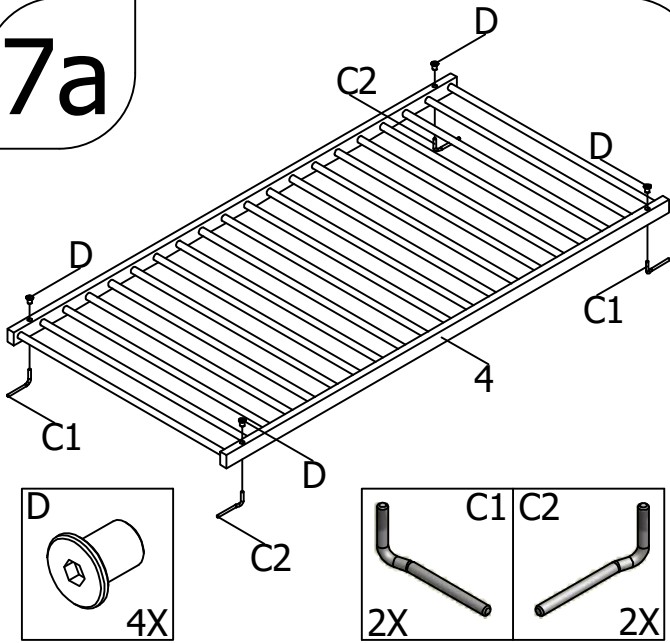
5a



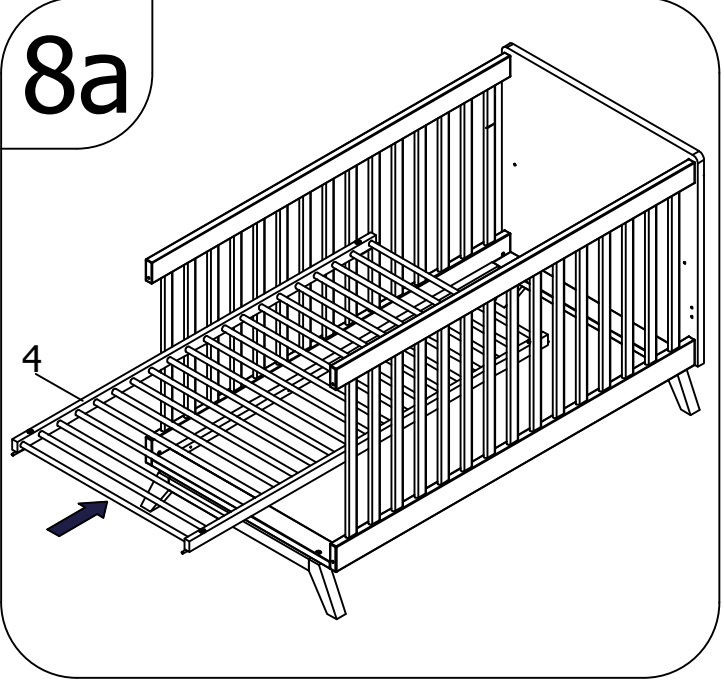
6a



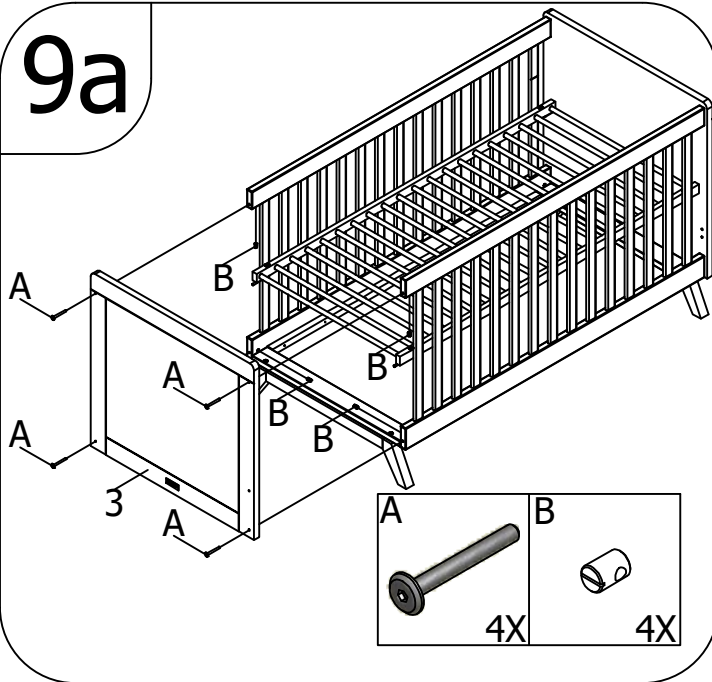
7a



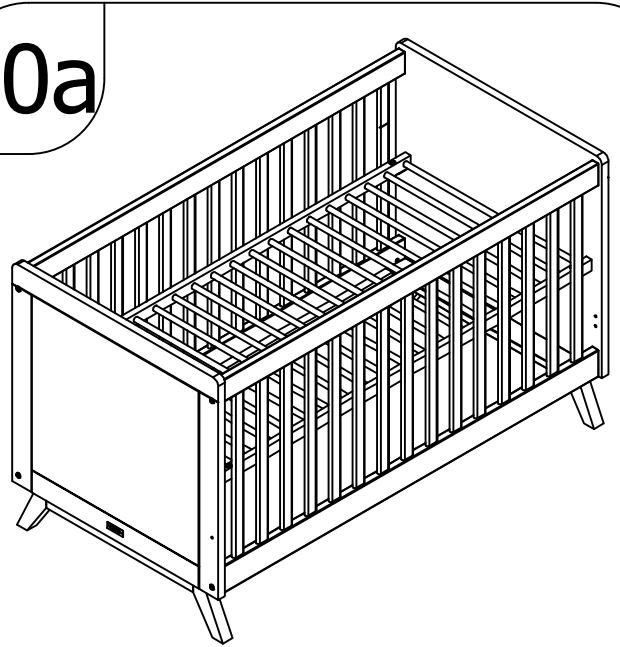
8a



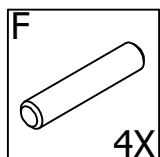
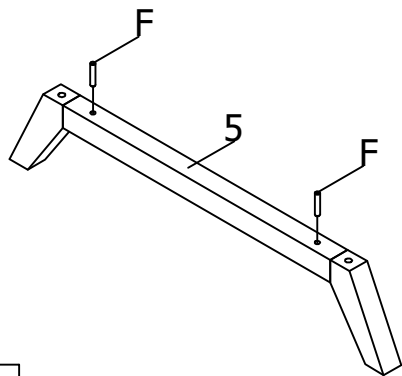
9a



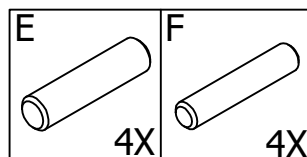
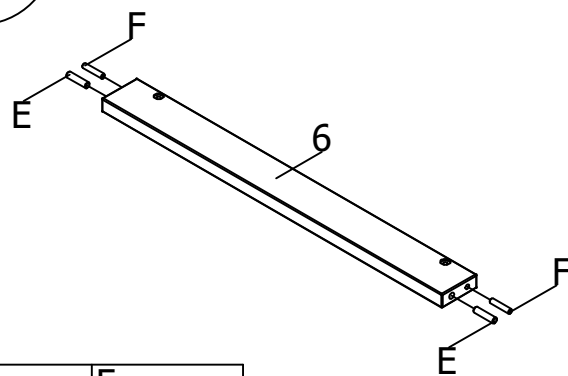
10a



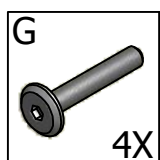
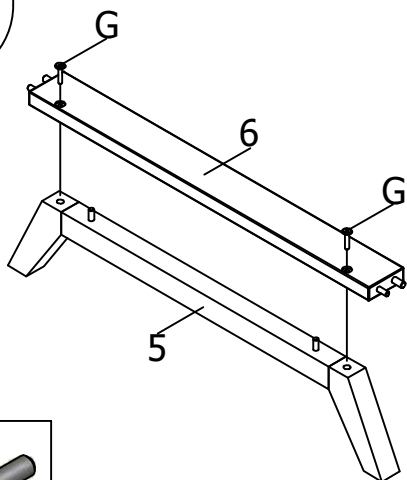
1b



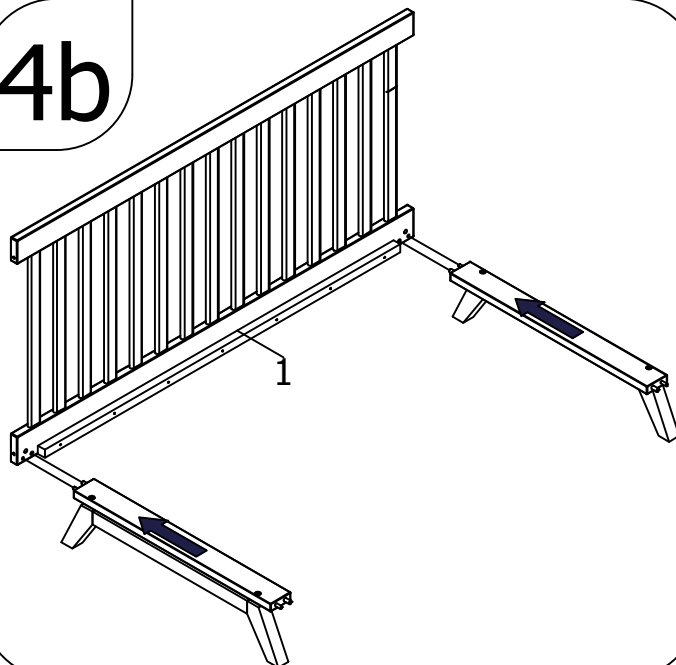
2b



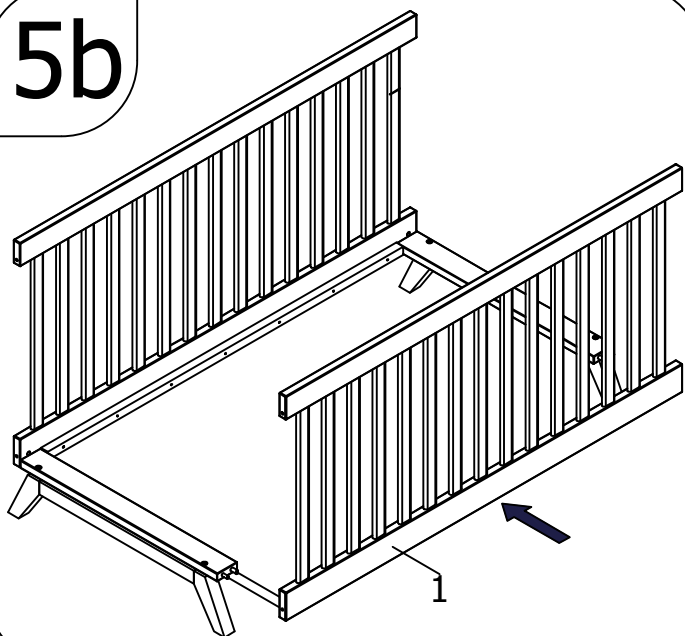
3b



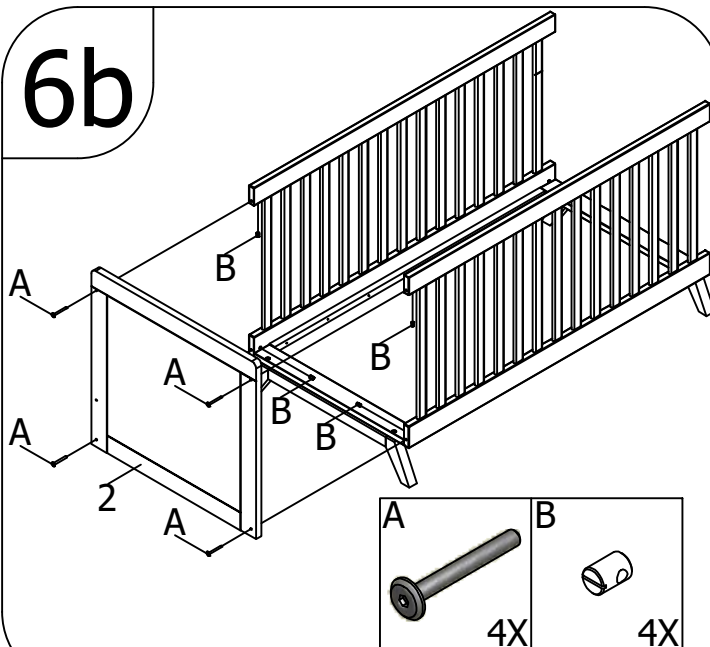
4b



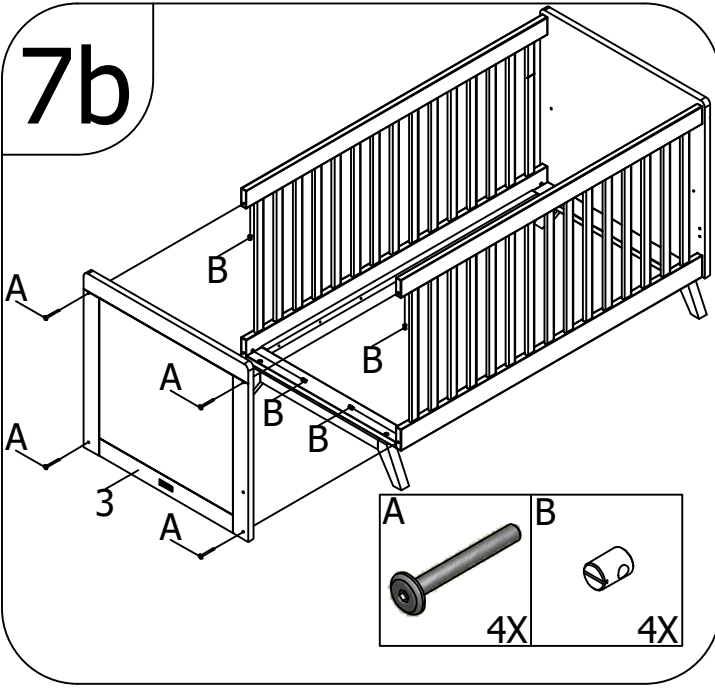
5b



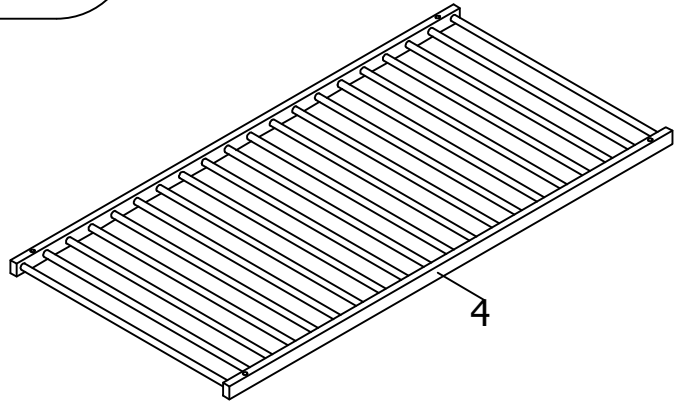
6b



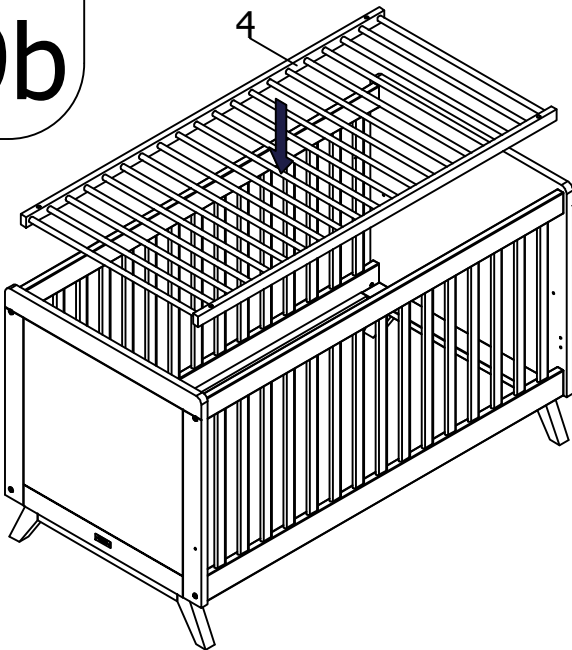
7b



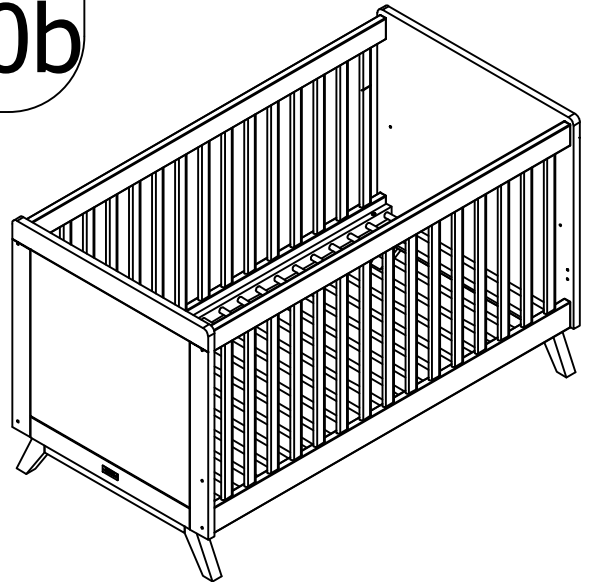
8b



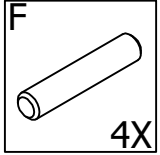
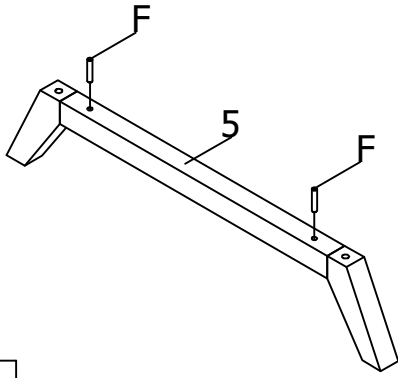
9b



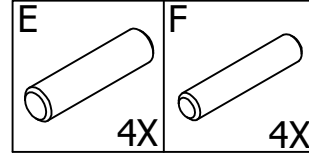
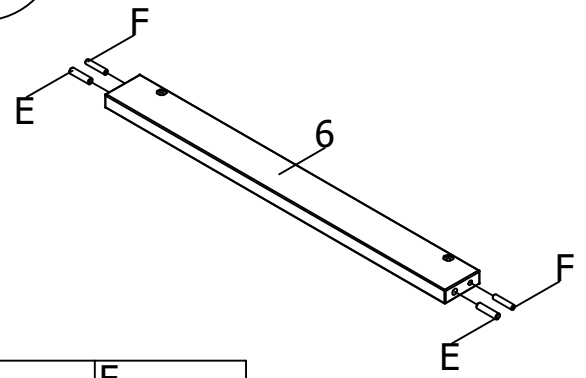
10b



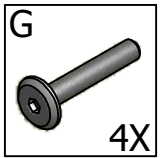
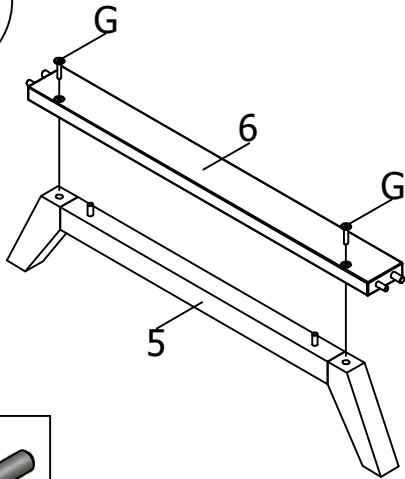
1c



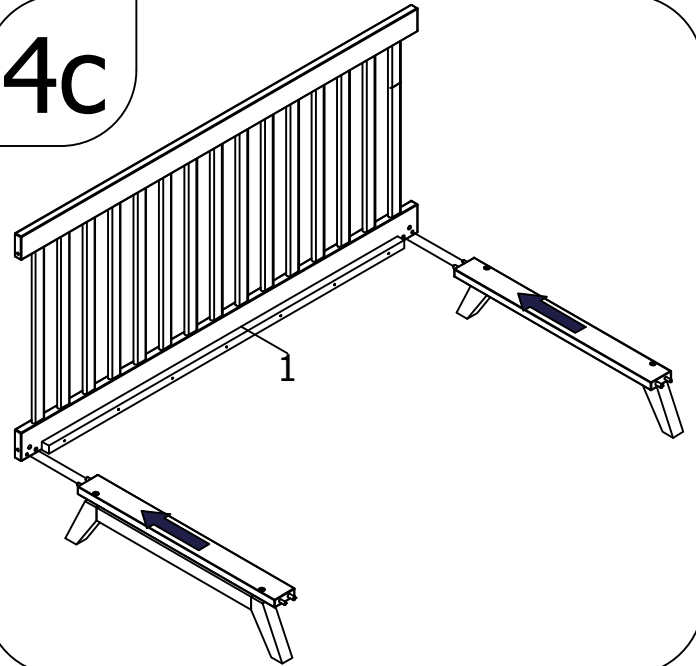
2c



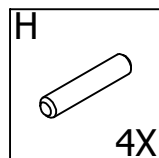
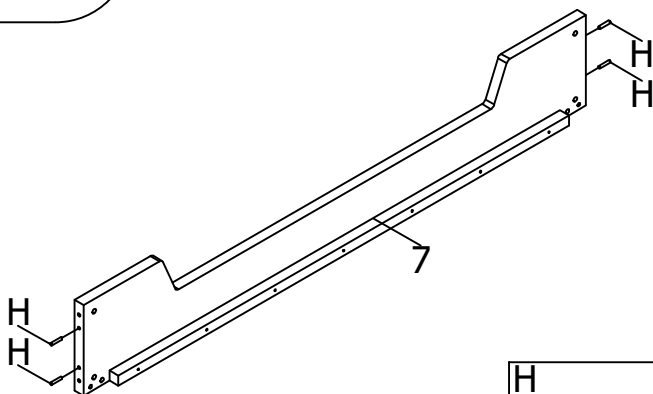
3c



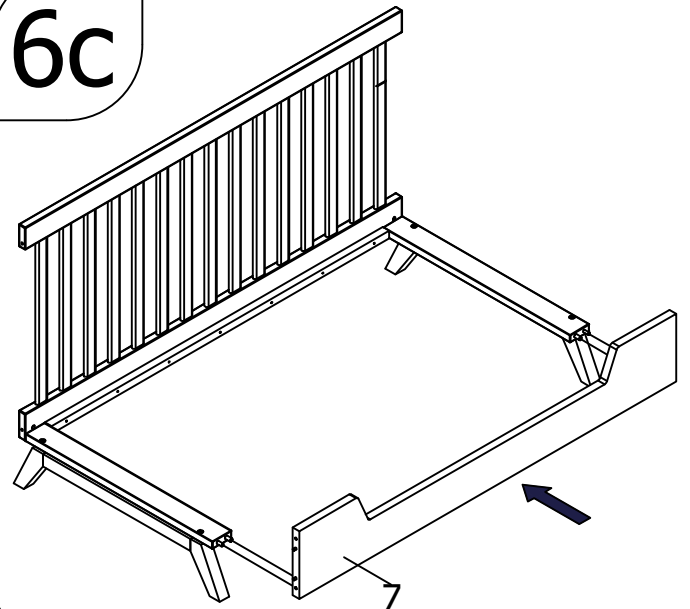
4c



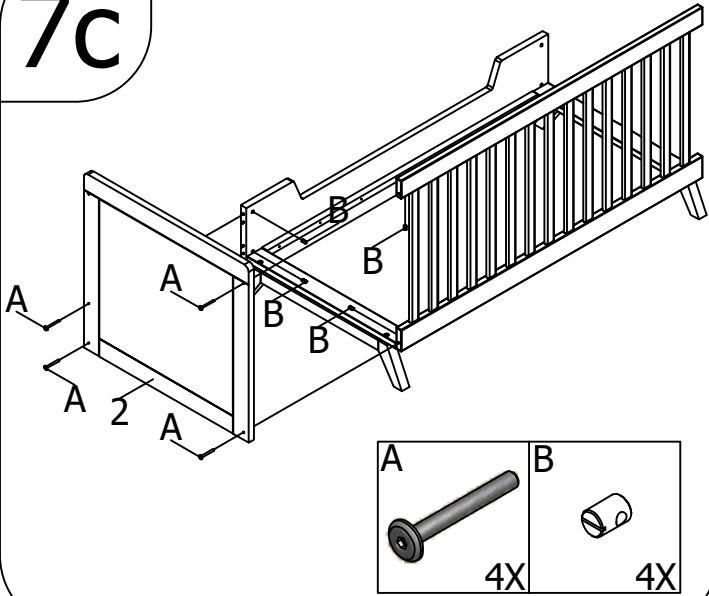
5c



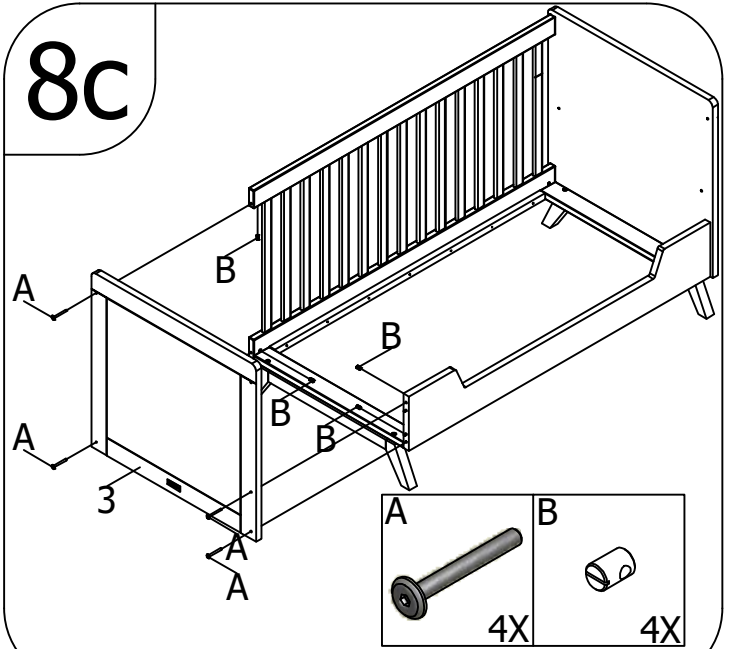
6c



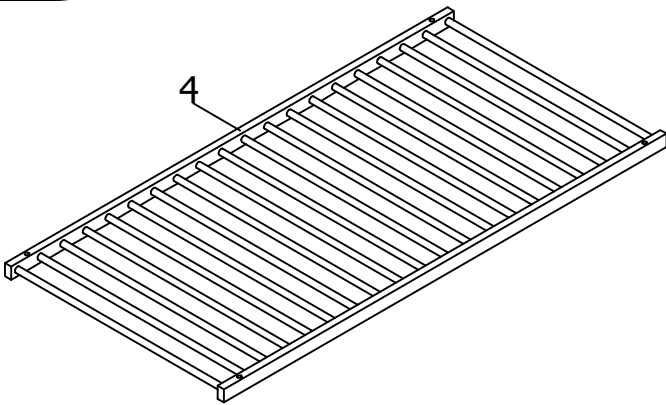
7c



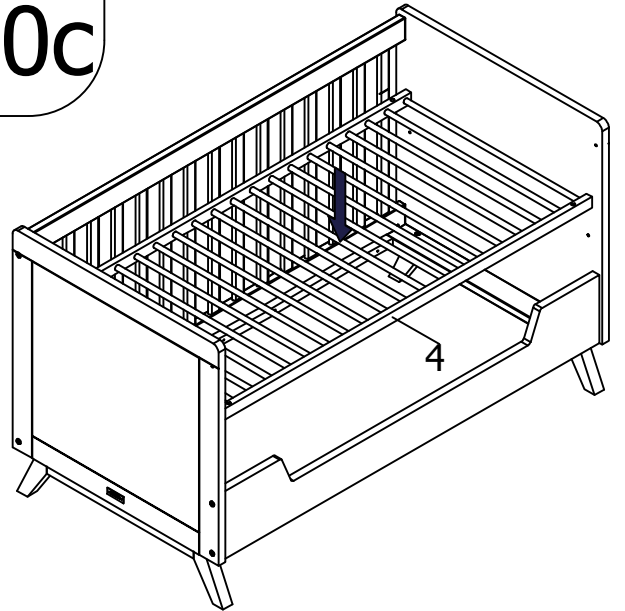
8c



9c



10c



11c

